

OWNER'S MANUAL HONDA MSX125

118-500-026-012



RECOMMENDED SETTINGS

Fork stroke	104mm
Air gap/Oil level	215cc Oil Amount
Fork oil	5wt.
Spring rate	6.5 N/mm
Comp damping	2 Full Turns
Reb damping	2 Full Turns
Fork position	See Manufacturer's Specification.

INTRODUCTION

The K-Tech front fork piston kit has been designed as an upgrade to the standard cartridges. The kit is manufactured in the UK using the highest quality materials and processes available. The system provides the rider greater feel and control over the standard equipment.

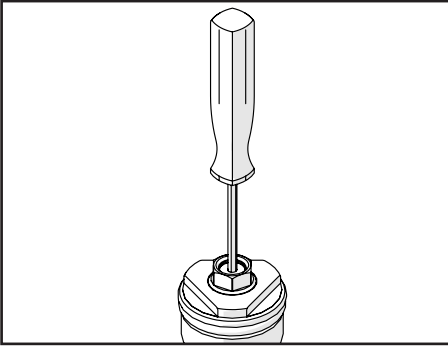
K-Tech Suspension Ltd products are manufactured to fit specific brands and models. Under no circumstances should any K-Tech Suspension Ltd products be fitted to an application other than that for which it has been designed, tested and manufactured.

SERVICE

K-Tech Suspension Ltd recommend that this product is serviced every 10,000 miles of use. It is very important that this product is serviced by an authorised dealer, as there are special tools required to guarantee correct performance of this product. K-Tech Suspension Ltd cannot be held responsible for any damage caused to/by the product if a service is overdue or was not conducted by an authorised dealer.

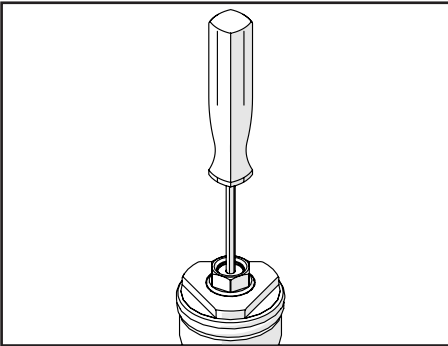
www.ktechsuspension.com/service-centres-and-partners

ADJUSTMENT



Compression Damping:-

Adjust using a 3mm allen key in the centre of the top cap (Black).
Adjustment range is 32 clicks.
All settings should be made from the fully closed (clockwise) position.



Rebound Damping:-

Adjust using a 3mm allen key in the centre of the top cap (Natural).
Adjustment range is 32 clicks.
All settings should be made from the fully closed (clockwise) position.



www.ktechsuspension.com

Contact your local K-Tech dealer for more details at
www.ktechsuspension.com/service-centres-and-partners