

WP 4860 MXMA PISTON KIT FITTING INSTRUCTIONS

117-600-023-003



ISSUE 1

KEY**NOTE!****CAUTION!****WARNING!**

The front forks are a very important part of the motorcycle and will affect the safety and stability.



Read the instructions carefully and make sure you understand them before you proceed. If you have any queries please contact your dealer or nearest supplier of K-Tech Suspension immediately.



K-Tech Suspension Ltd. cannot be held responsible for any damage to vehicle, front fork, personal injury or property if the installation instructions are not followed exactly.



Please read this instruction manual before installing the cartridge kit.



This cartridge kit should only be installed by an authorised K-Tech Dealer.

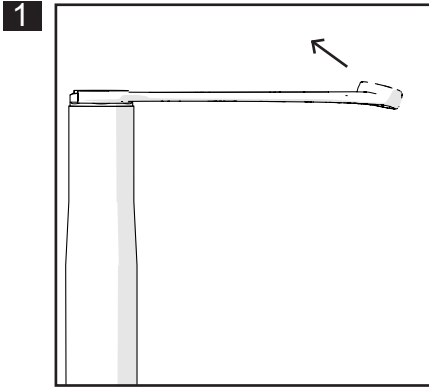
- 1** This cartridge kit was designed and developed for a specific motorcycle model and should only be installed onto the recommended model in its original condition.
- 2** After this product has been installed you should take a low speed test ride to check stability of the vehicle has been maintained.
- 3** This product needs specialised tools to fit correctly and should only be fitted by a K-Tech dealer or a person with the correct tools and qualified in motorcycle suspension and trained to install the front fork piston kits to ensure the performance of this product.
- 4** Remove the front forks from the motorcycle using the manufacturer's workshop manual.



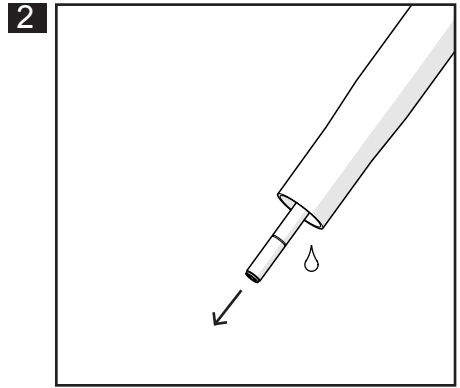
**USE
MANUFACTURER'S
WORKSHOP**

Set up data**Recommended settings**

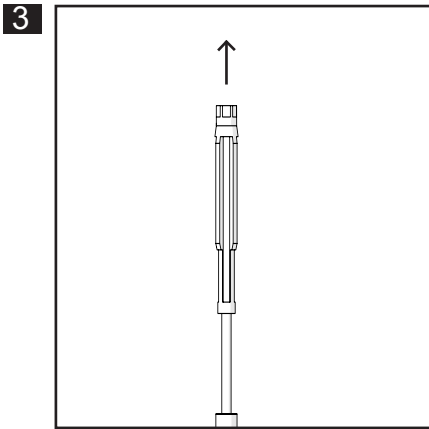
Compression:	12 clicks
Rebound:	12 clicks
Air Gap:	125mm
Fork position:	Set to owners manual



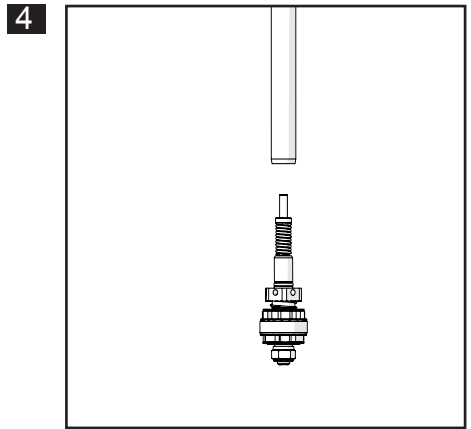
1 Remove the top cap from the outer tube and disassemble from piston rod.



2 Empty the oil from the fork. Remove the base valve assembly from the fork foot using a 17mm allen key. Remove the cartridge from the fork outer.

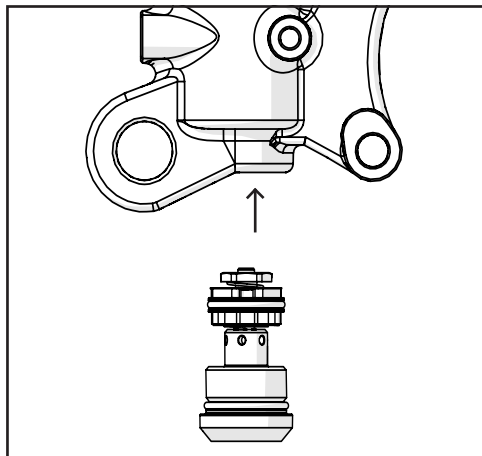


3 Unscrew the spring guide from the piston rod and remove the piston rod assembly from the cartridge tube



4 Remove the compression and rebound pistons from the piston rods. Install to both piston rods the K-tech rebound piston assemblies and needles as shown using grease on o-rings and Loctite 2701 on thread. Torque to 15Nm

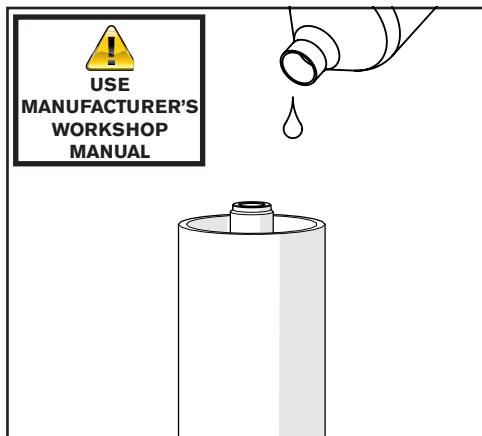
5



Reinstall piston rod assembly into cartridge and reinstall spring guide onto rod. Insert cartridge into fork tube ensuring it seats correctly on the fork bottom.

Install the K-tech base valve with compression piston assembly through the fork foot, into the cartridge tube ensuring to grease the o-ring before installation. Torque to 55Nm

6



Pour in fork oil to level recommended by manufacturer. You may need to pump the fork up and down whilst doing this to allow the oil to settle.

Reassemble top cap to piston rod and torque to manufacturer's spec. Screw top cap into fork outer tube and tighten to manufacturer's spec.