

SPARE PARTS LIST WP XPLORER PISTON KIT

117-600-023-001

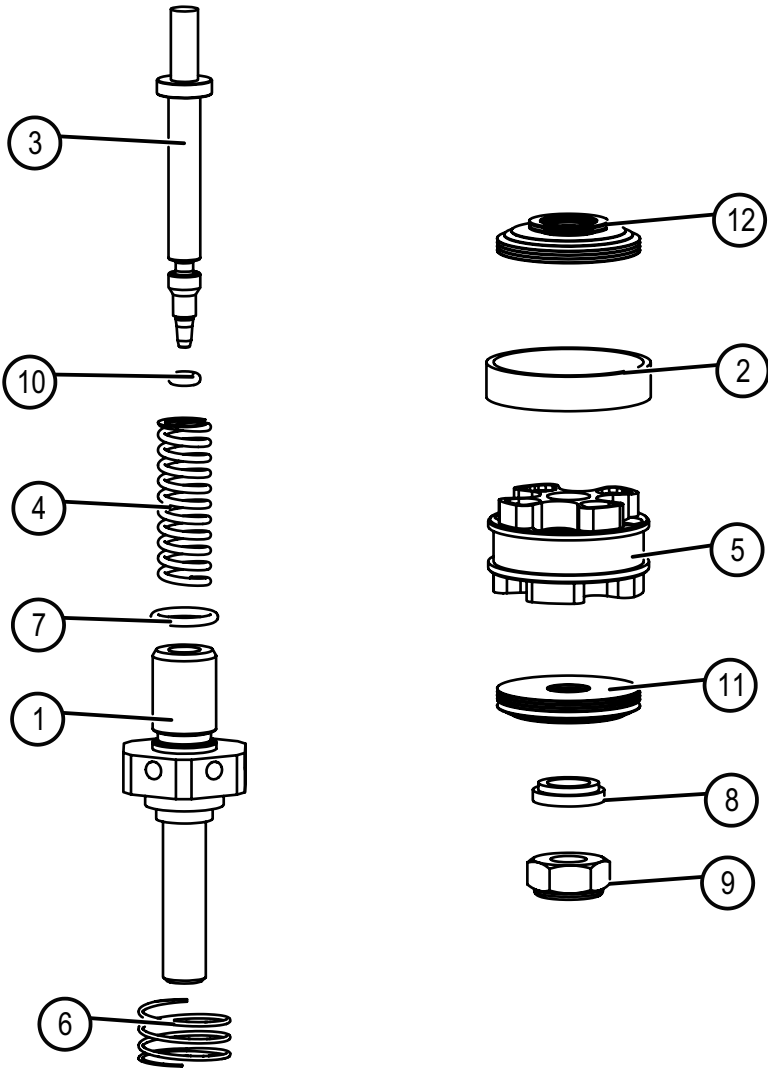


ORFK
OFF-ROAD FORK KIT

REBOUND PISTON ASSEMBLY

BOM ID	Part No.	Qty	Description
1	117-300-001	1	XPLORER REBOUND PISTON HOLDER
2	117-302-001	1	PISTON BAND
3	117-305-001	1	FF CONTROL NEEDLE REBOUND
4	117-310-001	1	REBOUND NEEDLE SPRING
5	117-500-002	1	23mm PISTON
6	117-520-002	1	CHECK VALVE SPRING
7	170-070-012	1	O-RING 7.0 X 1.2 NBR70
8	20K-005-8.5	1	CLAMP WASHER
9	M6X0.5HN	1	LOCK NUT M6X1.0 STAYTITE
10	170-015-015	1	O-RING 1.5X1.5 NBR70
11	SHIMS	1	SHIM
12	SHIMS	1	SHIM

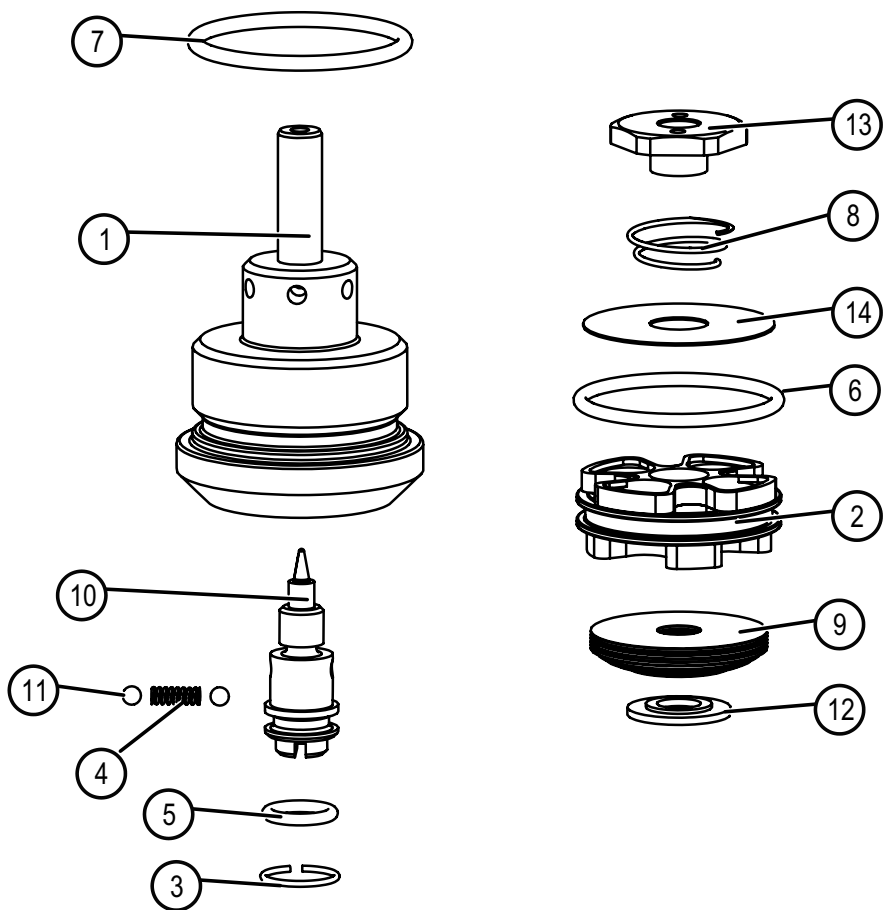
REBOUND PISTON ASSEMBLY



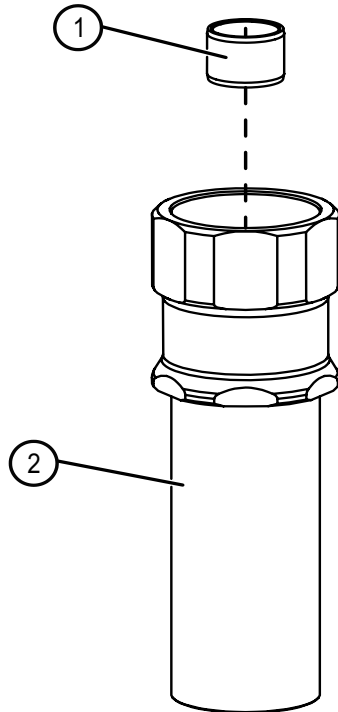
BASE VALVE COMPRESSION ADJUSTER

BOM ID	Part No.	Qty	Description
1	117-445-001	1	XPLOER COMP BASE VALVE
2	117-500-001	1	XPLOER COMP PISTON
3	155-101-001	1	RETAINING CLIP 11 x 0.8
4	155-103-001	1	COMPRESSION SPRING 6.5mm
5	170-071-016	1	O-RING 7.1 x 1.6
6	170-245-017	1	O-RING 24.5 X 1.78
7	170-265-020	1	O-RING 26.5 X 2.0 NBR70
8	117-520-001	1	FF NRV CONICAL SPRING 10.0N
9	COMP SHIM STACK	1	SHIM STACK
10	20K-004-2.0	1	FF COMPRESSION ADJ NEEDLE
11	255-165-001	2	BALL BEARING 2.5mm
12	255-725-007	1	CLAMP WASHER
13	117-515-001	1	COMP PISTON HOLDER NUT
14	SH08 2630	1	SHIM

BASE VALVE COMPRESSION ADJUSTER



HYDRAULIC LOCK



BOM ID	Part No.	Qty	Description
1	GB-12-14-10	1	DU BUSH
2	117-201-001	1	XPLORER HYDRAULIC LOCK



www.ktechsuspension.com

Contact your local K-Tech dealer for more details at
www.ktechsuspension.com/service-centres-and-partners